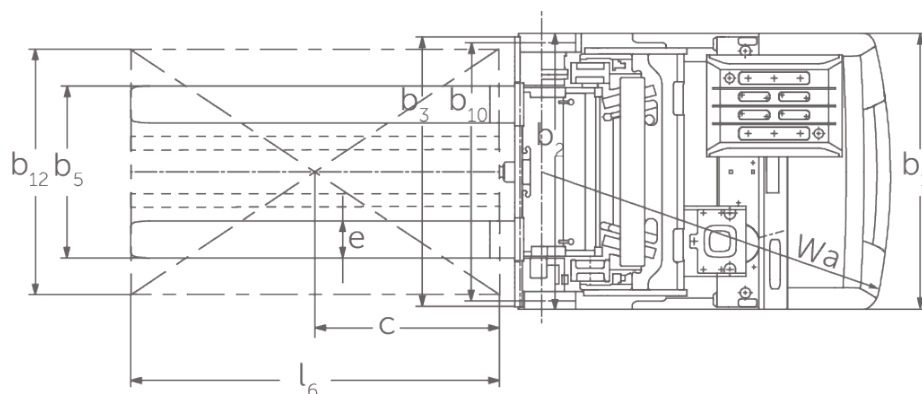
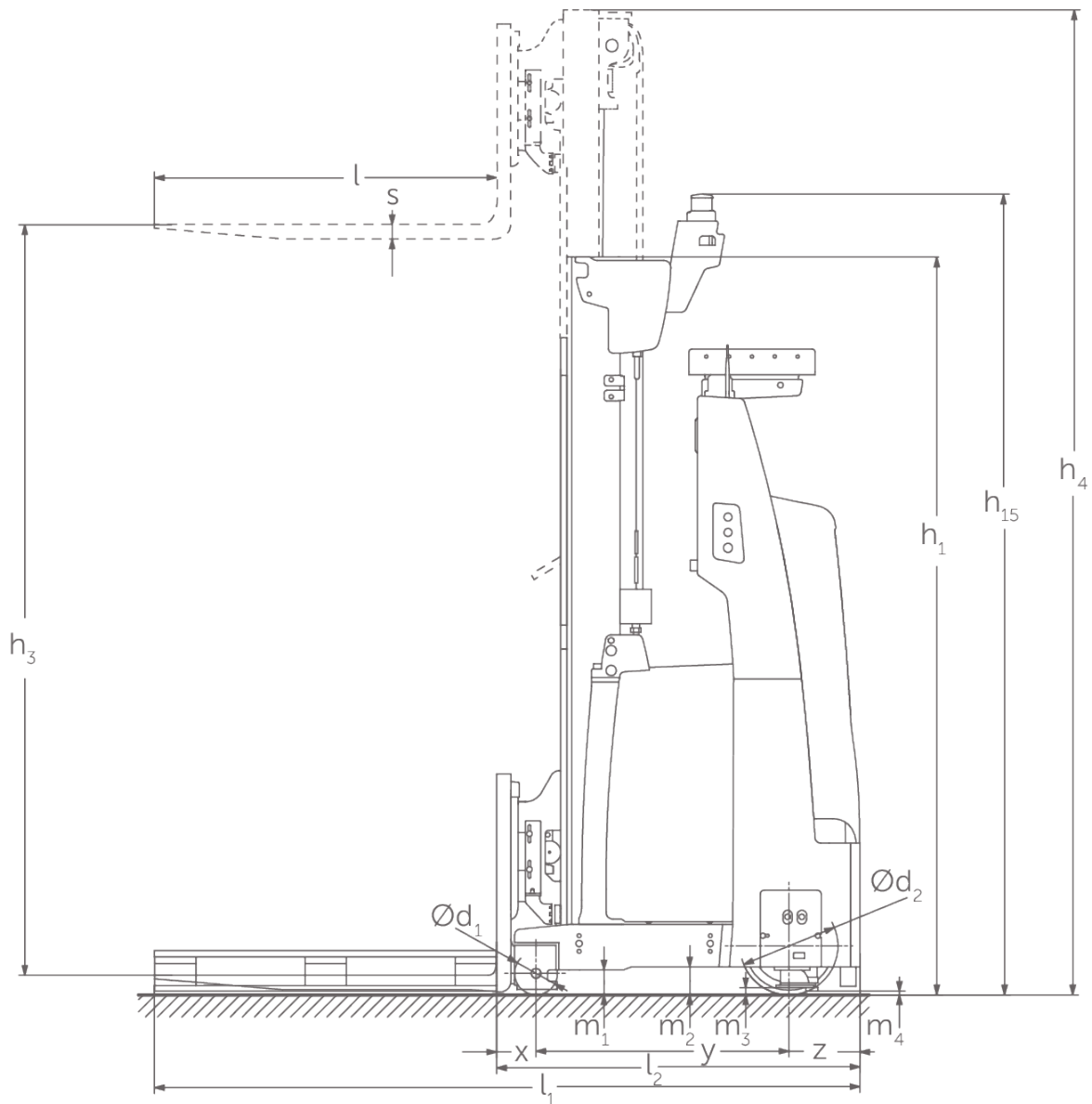




Automated Guided Vehicle System Self-Supported Stacker AGV EKS 215a

Lift height: 2750-6000 mm / Load capacity: 1500 kg

EKS 215a



EKS 215a

EKS 215a	Lift (h3)	Retracted mast height (h1)	Extended mast height (h4)
Duplex mast ZT	2750 mm	2240 mm	3610 mm
	2800 mm	2365 mm	3760 mm
	3500 mm	2590 mm	4335 mm
	4250 mm	2990 mm	5110 mm
	4750 mm	3240 mm	5610 mm
	5000 mm	3370 mm	5865 mm
	5500 mm	3640 mm	6385 mm
	6000 mm	3890 mm	6885 mm

VDI table

Stand-on: 10/2021

Characteristic	1.1	Manufacturer (abbreviated description)		Jungheinrich	
	1.2	Manufacturer's type designation		EKS 215a	
	1.3	Drive		Electric	
	1.4	Operation		Automated Guided Vehicle	
	1.5	Load capacity/load	Q	kg	1500
	1.6	Load centre distance	c	mm	600
	1.8	Load distance, centre of drive axle to fork	x	mm	138
	1.9	Wheelbase	y	mm	887
	Weights	2.1.1	Service weight (incl. battery)		kg
2.2		Axle load laden front/rear		kg	4110 / 670
2.3		Axle load unladen front/rear		kg	1360 / 1920
Wheels/ suspension system	3.1	Tyres			PU/PU
	3.2	Tyre size, front			Ø 343 x 114
	3.3	Tyre size, rear			Ø 150 x 135
	3.5	Wheels, number front/back (x=driven)			2 / 1x
Basic dimensions	4.2	Retracted mast height (h1)	h ₁	mm	2590
	4.4	Lift (h3)	h ₃	mm	3500
	4.5	Extended mast height (h4)	h ₄	mm	4335
	4.19	Overall length	l ₁	mm	2492
	4.20	Length including fork shank	l ₂	mm	1275
	4.22	Fork dimensions	s/e/l	mm	50 x 120 x 1200
	4.25	Width across forks	b ₅	mm	856
	4.31	Ground clearance laden under mast	m ₁	mm	88
	4.38	Order picking height		mm	2730
Performance data	5.1	Travel speed laden/unladen		km/h	5 / 7
	5.2	Lift speed laden/unladen		m/s	0.25 / 0.3
	5.3	Lowering speed laden/unladen		m/s	0.3 / 0.25
	5.10	Service brake			regenerative
	5.11	Parking brake			el. sprung-loaded
E-motor/ Electronics	6.1	Drive motor, performance S2 60 min		kW	6
	6.2	Lift motor, performance with S3		kW	8
	6.3	Battery according to DIN 43531/35/36			5 PzS 775
	6.4	Battery voltage/nominal capacity		V / Ah	24 / 775
Other	8.1	Type of drive control			AC
	10.5	Steering version			electric
	10.7	Sound level as per EN12053, operator's ear		dB (A)	65

- This data sheet according to VDI guideline 2198 only states the technical values of the standard truck. Different tyres, other masts, additional equipment etc. may result in different values.

See drawing and 4.38 Order picking height $h_{15} = h_1 + 140$ mm (laser scanner height).
Under 5.1: Speed in load direction - 4.3 km/h in load direction

The German production facilities in
Norderstedt, Moosburg and Landsberg
are certified.

ISO 9001
ISO 14001

 **JUNGHEINRICH**